



SCHEDA TECNICA

TECHNICAL SHEET



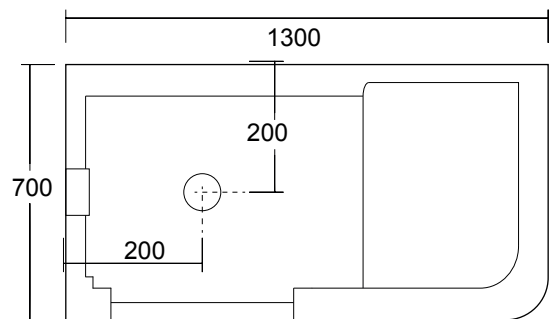
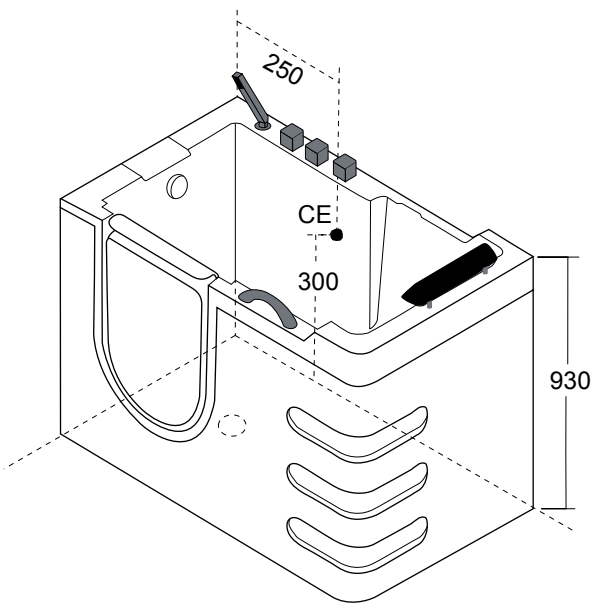
DISABILI

cod. VS2823

Vasca per anziani o disabili apertura sx
Bath-tub for senior or disabled left opening

Misure:
Measures:

L 130 P 70 H 93 cm / 100 kg



*Lato posteriore

