



# SCHEDA TECNICA

## TECHNICAL SHEET

### DISABILI

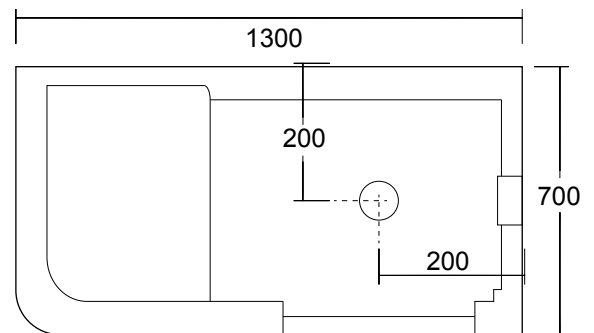
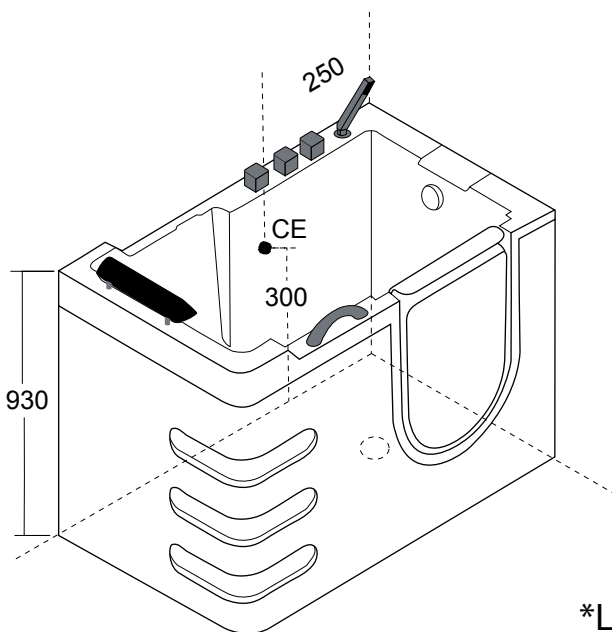
**cod. VS1757**

Vasca per anziani o disabili apertura dx  
*Bath-tub for senior or disabled right opening*



**Misure:**  
*Measures:*

L 130 P 70 H 93 cm / 100 kg



**\*Lato posteriore**

