



SCHEDA TECNICA

TECHNICAL SHEET

DISABILI

cod. VA1685

Vaso scarico a pavimento
Floor mounted WC with floor-trap

cod. VA1686

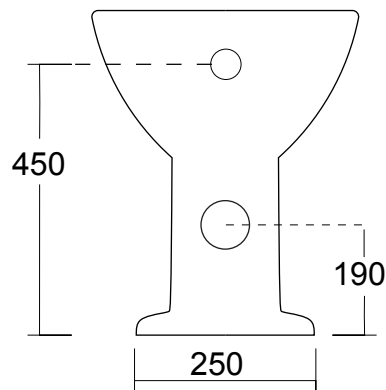
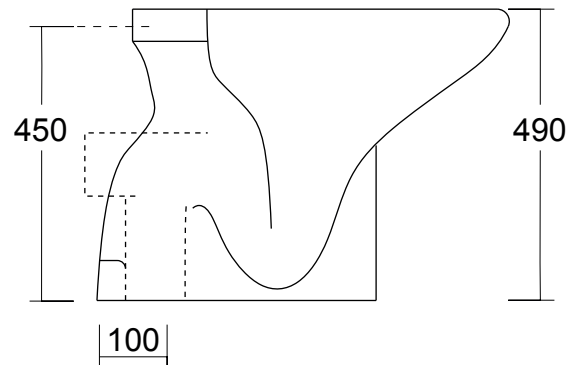
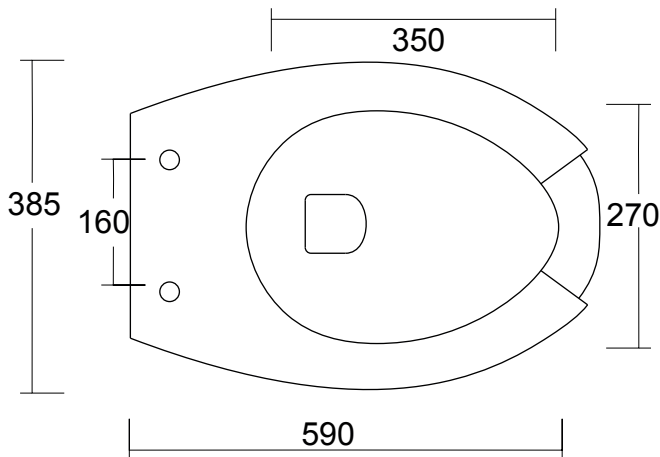
Vaso scarico a parete
Floor mounted WC with wall-trap

Misure:
Measures:

L 38,5 P 59 H 49 cm / 20 kg



CE EN 997:2018



* La distanza del centro foro scarico terra e riferita alla fine della base del sanitario, e non al muro

* The distance of the drainage hole center ground is related to the end of the sanitary base and not to the wall