



# SCHEDA TECNICA

## TECHNICAL SHEET



### FLY

#### cod. VA1619

Vaso scarico a pavimento  
*Floor mounted WC with floor-trap*

#### cod. VA1620

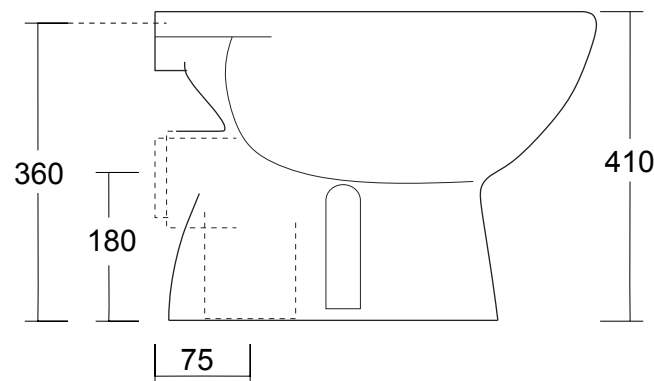
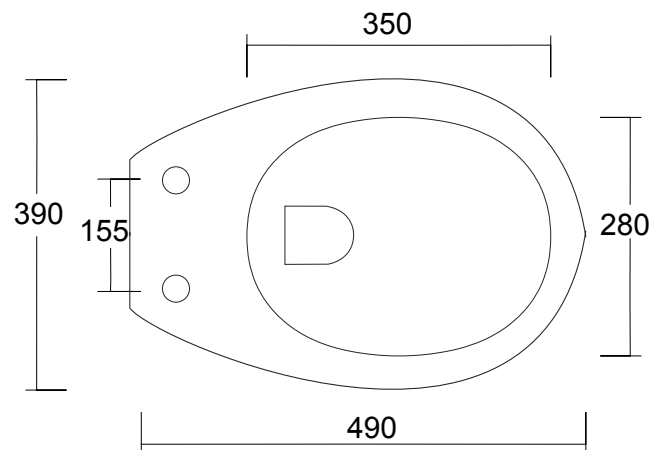
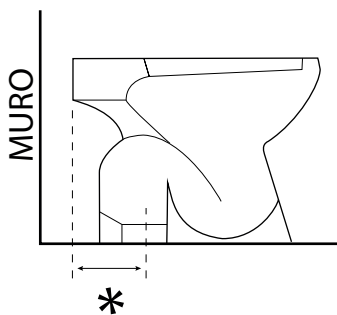
Vaso scarico a parete  
*Floor mounted WC with wall-trap*

#### Misure:

*Measures:*

L 39 P 49 H 41 cm / 15 kg

CE EN 997:2018



\* La distanza del centro foro scarico terra e riferita alla fine della base del sanitario, e non al muro

\* The distance of the drainage hole center ground is related to the end of the sanitary base and not to the wall