



SCHEDA TECNICA

TECHNICAL SHEET



YOUNG

cod. VA1576

Vaso scarico a pavimento
Floor mounted WC with floor-trap

cod. VA1577

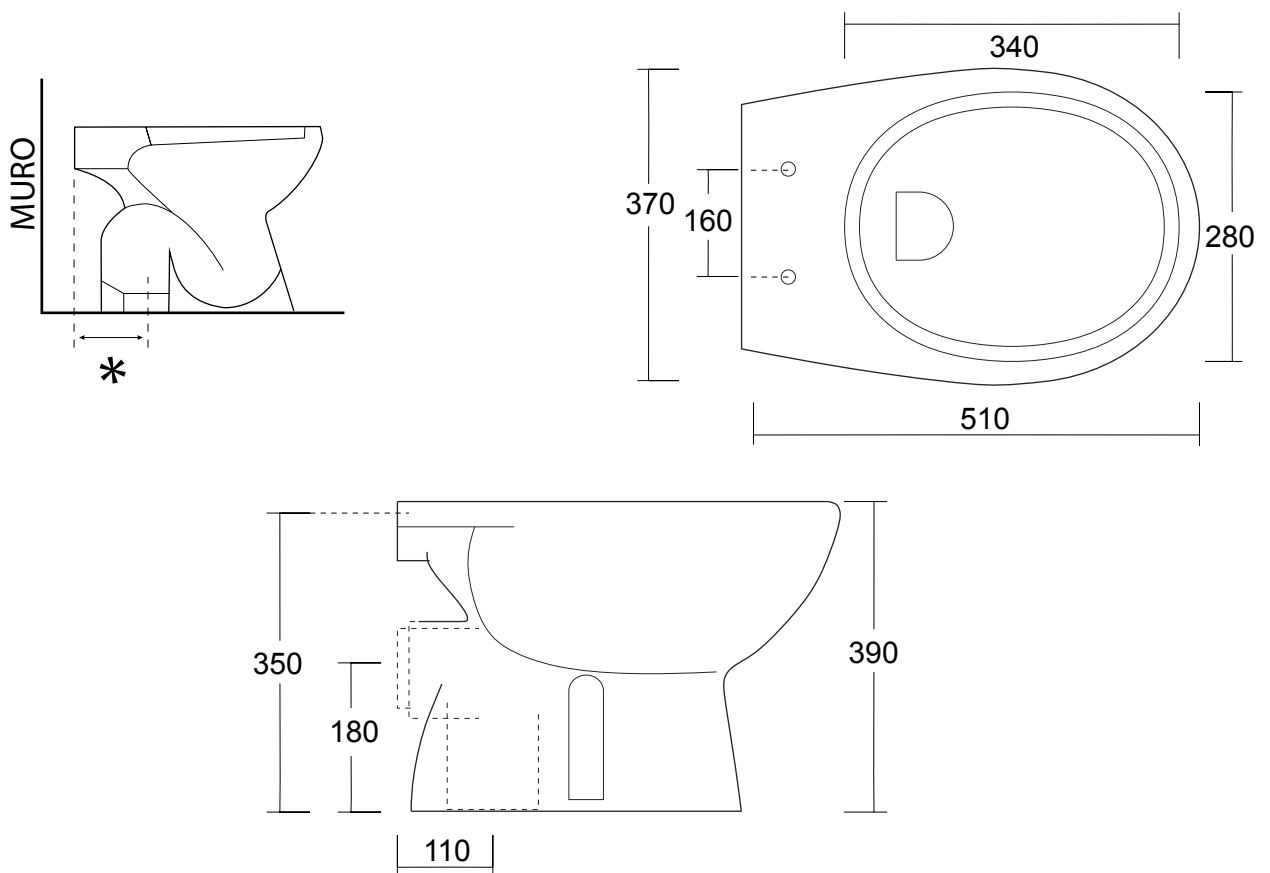
Vaso scarico a parete
Floor mounted WC with wall-trap

Misure:

Measures:

L 37 P 51 H 39 cm / 18 kg

CE EN 997:2018



* La distanza del centro foro scarico terra e riferita alla fine della base del sanitario, e non al muro

* The distance of the drainage hole center ground is related to the end of the sanitary base and not to the wall