



SCHEDA TECNICA

TECHNICAL SHEET

DISABILI

cod. BO1760-BO1761-BO1762

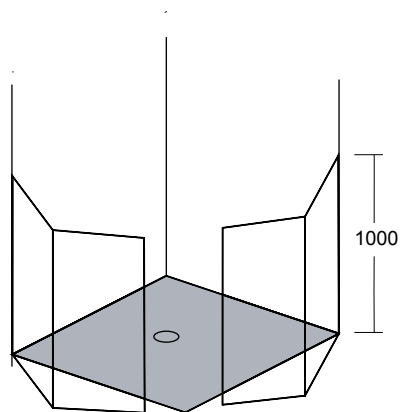
Box doccia a scomparsa acrilico
Shower cabin



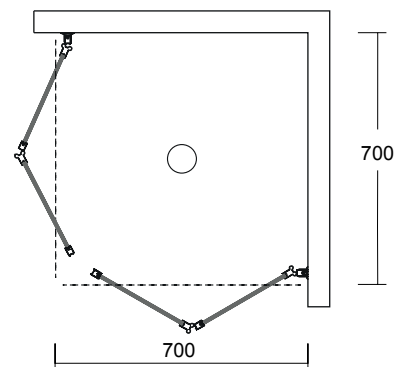
Misure:

Measures:

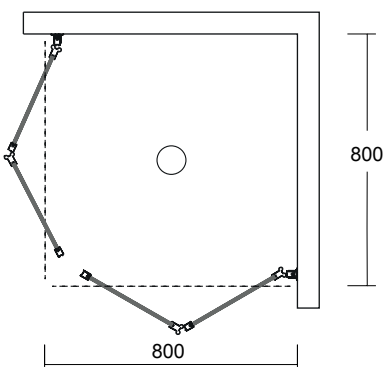
L 70 / 80 / 90 P 70 / 80 / 90 H 100 cm



cod. BO1760



cod. BO1761



cod. BO1762

